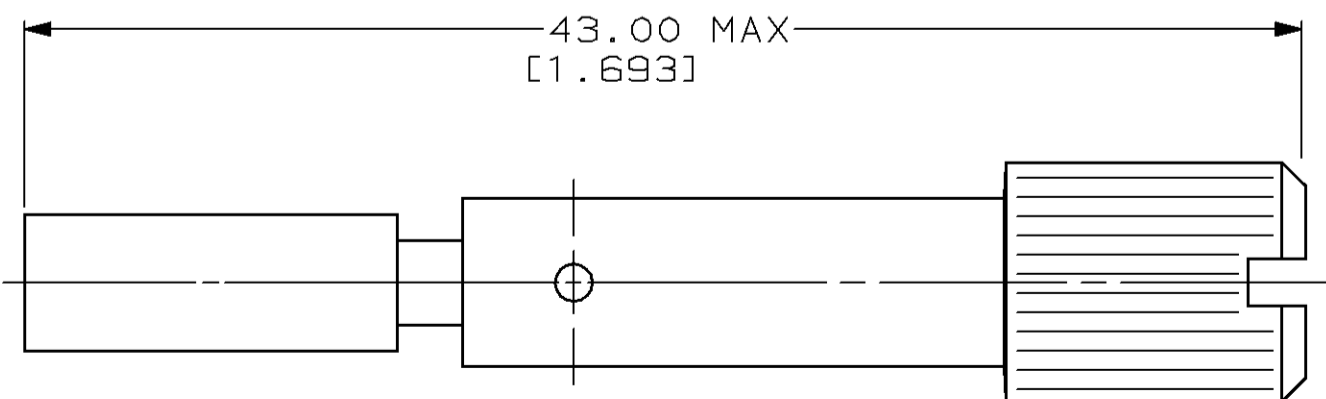
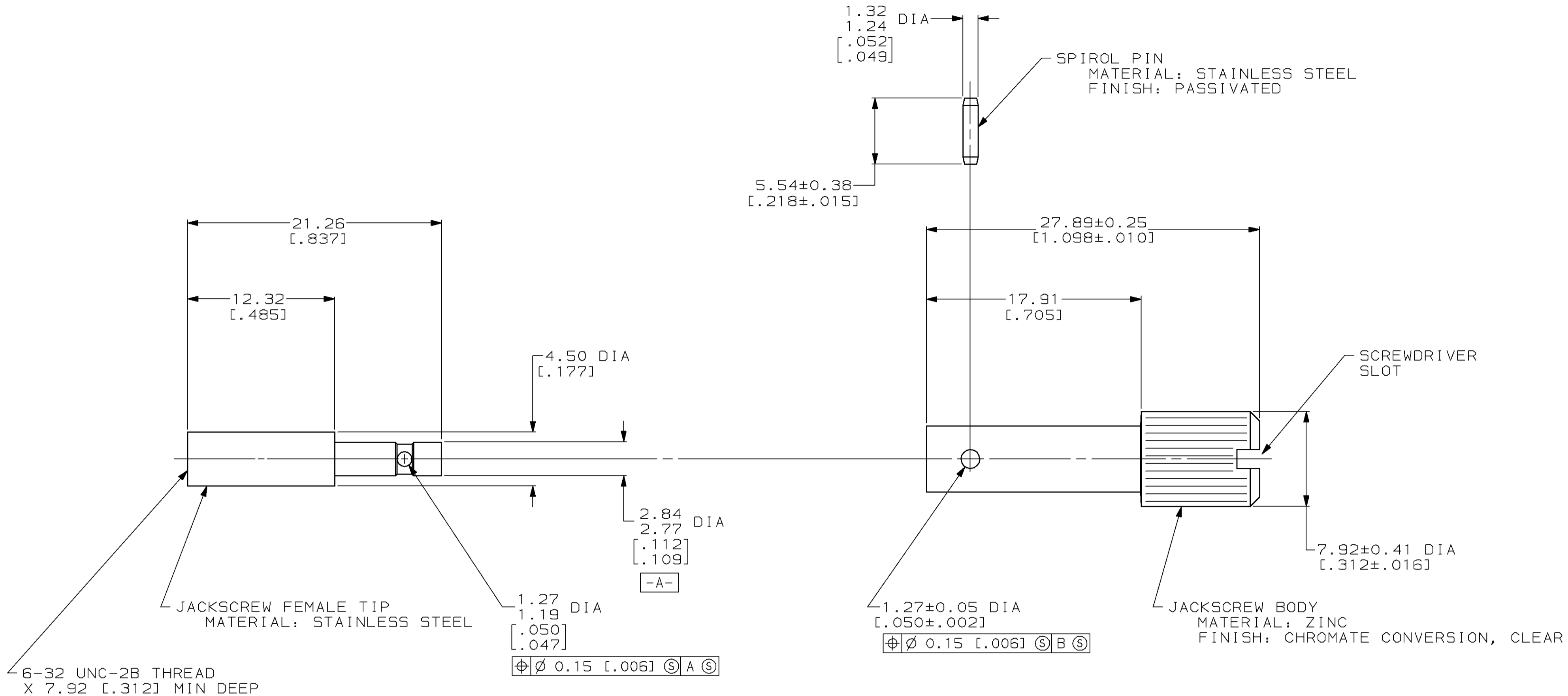


THIS DRAWING IS UNPUBLISHED. RELEASED FOR PUBLICATION  
 BY AMP INCORPORATED. ALL RIGHTS RESERVED.

| LOC |     | DIST        |                             | REVISIONS |      |   |   |
|-----|-----|-------------|-----------------------------|-----------|------|---|---|
| P   | LTR | DESCRIPTION | DATE                        | DWN       | APVD |   |   |
| BD  | 36  |             |                             |           |      |   |   |
|     |     | K           | REDRAWN PER EC 0020-1346-95 | 14 DEC 95 | -    | - | - |



ASSEMBLED VIEW

201088-1  
PART NUMBER

|   |  |  |  |
|---|--|--|--|
| THIS DRAWING IS A CONTROLLED DOCUMENT FOR AMP INCORPORATED. IT IS SUBJECT TO CHANGE AND THE CONTROLLING ENGINEERING ORGANIZATION SHOULD BE CONTACTED FOR THE LATEST REVISION. |  | DWN<br>C. DORWART<br>14 DEC 95         | AMP<br>AMP Incorporated<br>Harrisburg, PA 17105-3608             |
|   |  | CHK<br>R. STONE<br>29 FEB 96           |  |
|   |  | APVD<br>G. STEINHAUER<br>07 MAR 96     | NAME<br>FEMALE JACKSCREW KIT,<br>UNASSEMBLED, SHORY,<br>M SERIES |
| DIMENSIONS:<br>mm   |  | TOLERANCES UNLESS OTHERWISE SPECIFIED: | SIZE<br>A2   |
|   |  | 0 PLC ±-                               | CAGE CODE<br>00779   |
|   |  | 1 PLC ±-                               | DRAWING NO<br>C=201088   |
|   |  | 2 PLC ±0.13 [.005]                     | SCALE<br>4:1   |
|   |  | 3 PLC ±-                               | SHEET<br>1 OF 1  |
|   |  | 4 PLC ±-                               | REV<br>K   |
| MATERIAL<br>-   |  | FINISH<br>-                            | CUSTOMER DRAWING   |